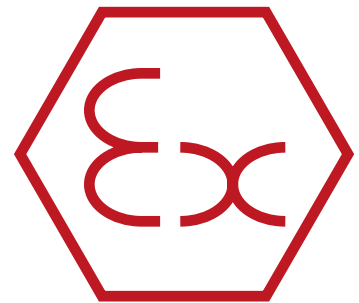


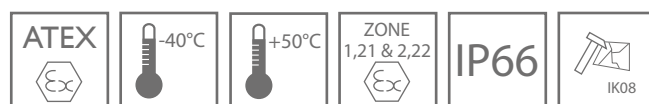
EXPLOSIONPROOF LIGHT FITTINGS

ZONE 21, 2&22



PLFS-N 100 LED





EX MARKING:



Ex db eb op is IIC T6 Gb
Ex tb op is IIIC T80°C Db

CERTIFICATE:

FIDI 19 ATEX 0031

PRZYKŁADOWE APLIKACJE

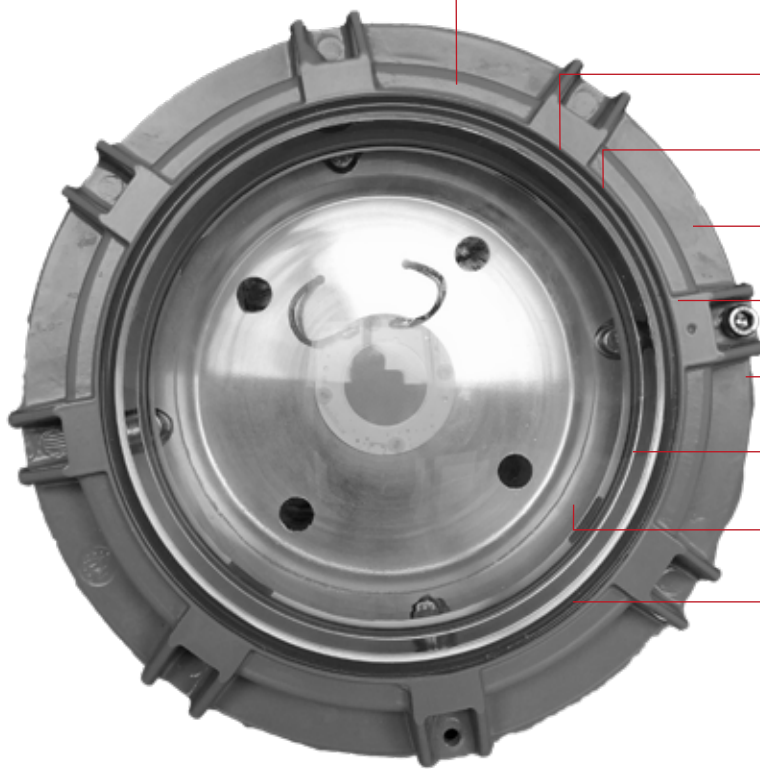


REFINERY

FUEL
TANKSCHEMICAL
PLANTSFUEL
RELOADING
PLACESCHEMICAL
STORAGE

LED light fitting destined to work in 1,21 and 2,22 of explosion hazard zones. Light fitting is equipped with elliptical diffuser and mounting bracket as a standard.

FEATURES



IP66

Long lifetime: >70 000h

Protection Class:

-40°C/ -20°C to +40°C / +50°C

90-305V AC, 127-431 V DC

IK: 08

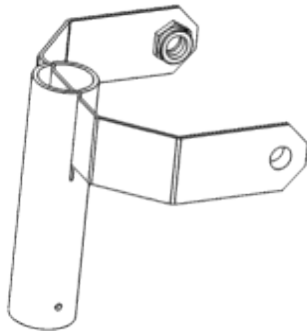
Power: 80W, 100W

Colour temperature 4000K

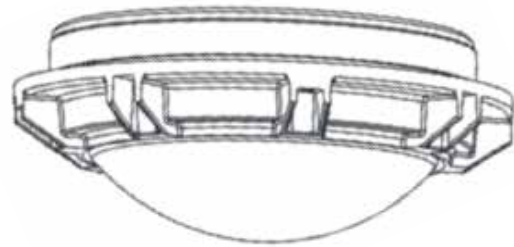
CRI>80

MOUNTING

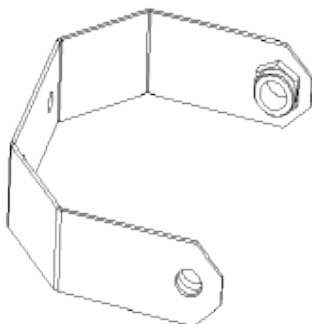
PLFS 20-120



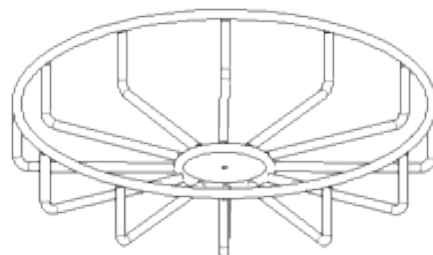
PLFS LED 10-120



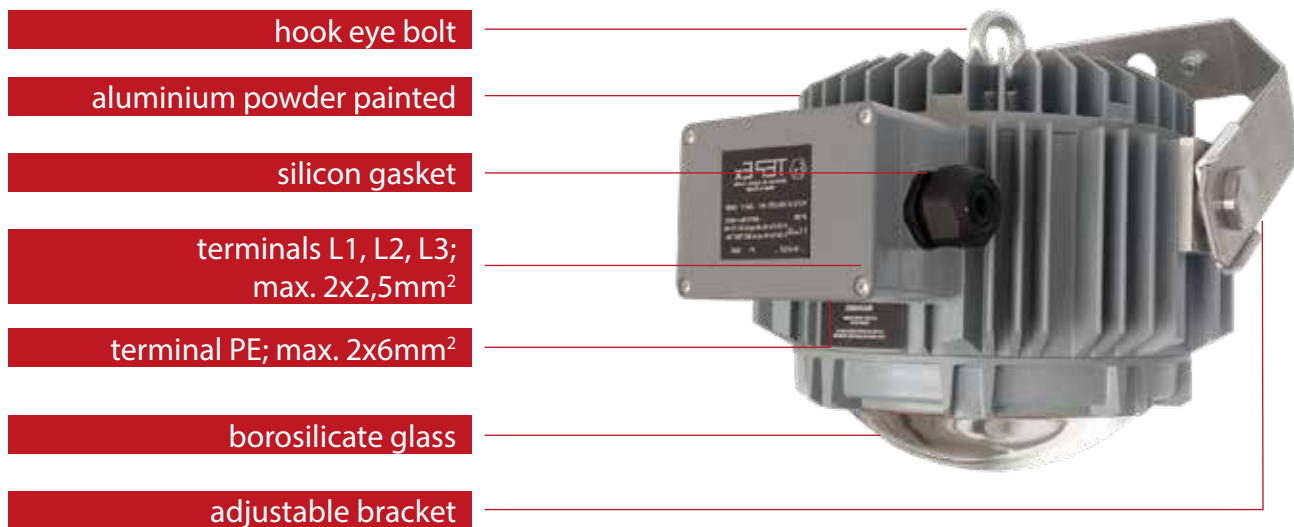
PLFS 20-130



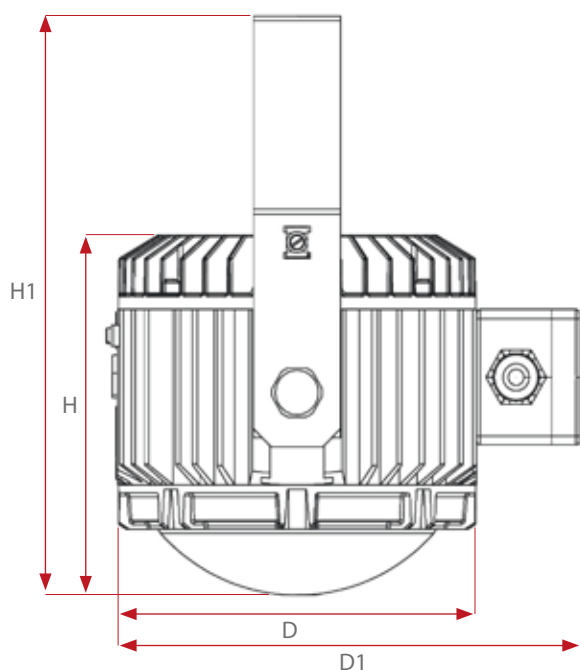
PLFS LED 10-130



FEATURES



DIMENSIONS



TYP TYPE	H	H1	D	D1
PLFS-N 100 LED	240	320	268	240

TYPES COMPARISON

TYPES COMPARISON

MODEL CODE	POWER [W]	VOLTAGE [V]	LUMINOUS FLUX [lm]	EFFICACY [lm/W]	TEMP. [C]
PLFS-N 100 LED-3	80	90-305 V AC	10 150	127	-40°C ÷ +50°C
PLFS-N 100 LED-4	100	127-431 V DC	12 690	127	-40°C ÷ +40°C

TYPES COMPARISON - OPTIONAL

MODEL CODE	POWER [W]	VOLTAGE [V]	LUMINOUS FLUX [lm]	WEIGHT [kg]
PLFS-N 2100 LED	2x80	90-305 V AC	20 300	22
PLFS-N 3100 LED	3x80	127-431 V DC	30 450	34
PLFS-N 4100 LED	4x80		40 600	45



PHOTOMETRY

